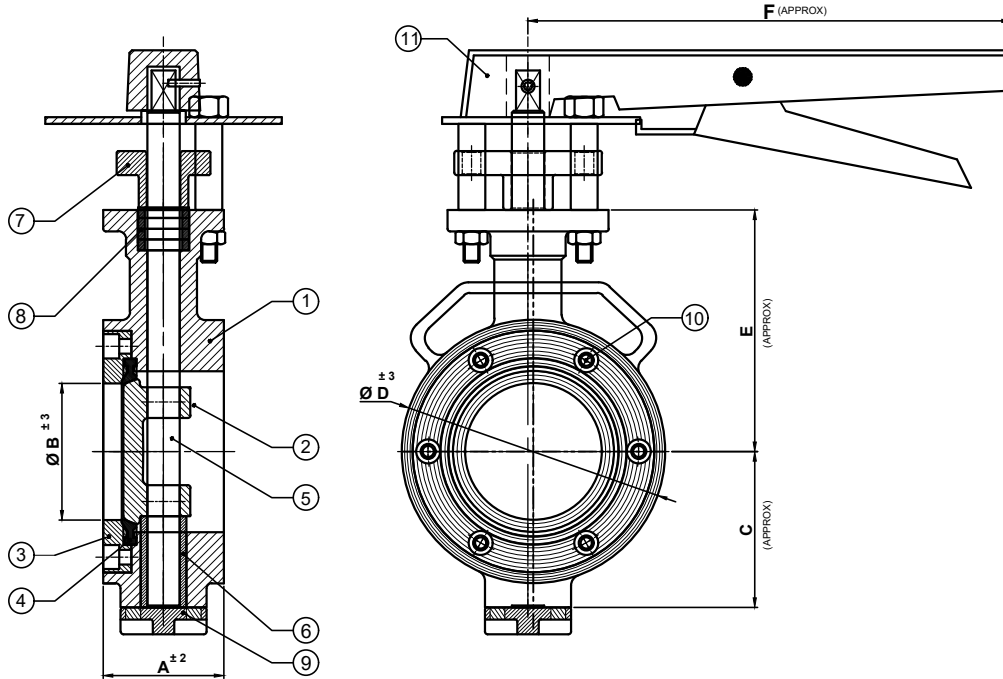




SHREENATH ENGINEERING

PLOT NO-B/22, ZAVERI ESTATE,
NR. KATHWADA G.I.D.C., KATHWADA-SINGARVA ROAD,
KATHWADA, AHMEDABAD-382 430, GUJARAT, INDIA.
MOBILE :- +91 9825530462, 9979082211
E-mail: neconvalves@yahoo.com / Website : www.neconvalves.com

DRN ABDUL	DATE 10/06/2024	
WAFER TYPE BUTTER FLY VALVE.		
DRG. NO : SE/WSDV/LO/40 - 200		



Double Eccentric Disc Design

Valve Size	A	ØB	C	ØD	E	F
1½" (40mm)	42	40	51	85	85	180
2" (50mm)	45	51	58	98	90	180
2½" (65mm)	48	61	63	115	102	180
3" (80mm)	48	72	70	131	120	215
4" (100mm)	54	100	86	159	134	215
5" (125mm)	57	123	105	188	154	265
6" (150mm)	57	143	120	219	170	265
8" (200mm)	63	192	145	272	200	325

11	Lever	M.S./S.S.304
10	L.N. Bolt	S.S. 202 / S.S. 304/S.S.316
9	Bottom Cover	WCB/CF8
8	Gland Packing	PTFE
7	Gland	WCB/CF8/CF8M
6	Shaft Bearing Bush	AISI 410/304/316
5	Shaft	AISI 410/304/316/304L/316L
4	Seat Ring	PTFE / GFT / CFT
3	Retainer	WCB/CF8/CF8M/CF3/CF3M
2	Disc	CF8/CF8M/CF3/CF3M
1	Body	WCB/CF8/CF8M/CF3/CF3M
No.	Description	Material

TESTING

PRESSURE RATING	HYDROSTATIC SHELL TEST		HYDROSTATIC SEAT TEST	
	Kg/CM2	PSI	Kg/CM2	PSI
PN10	15	210	10	140
PN16	22	310	16	225

CONFORMITY TO CODES & STANDARDS

- 1) DESIGN & MANUFACTURE :- API 609
- 2) VALVE FACE TO FACE DIMENSION :- BS 5155 / API 609 Category B
- 3) TOP FLANGE DRILLING :- ISO 5211
- 4) VALVE INSPECTION & TESTING :- BS 6755 Part - I / API 598 / EN 12266-1
- 5) FLANGE STANDARD CONFORMITY :- ANSI 150 / IS 6392 NP 1.0 /1.6

THIS DRAWING IS PROPERTY OF SHREENATH ENGINEERING.
SHREENATH ENGINEERING RESERVES RIGHTS OF USE,CHANGE & MODIFY PRODUCT DESIGN OR PRODUCT WITHOUT PRIOR NOTICE.

CHECKED BY :-

APPROVED :-